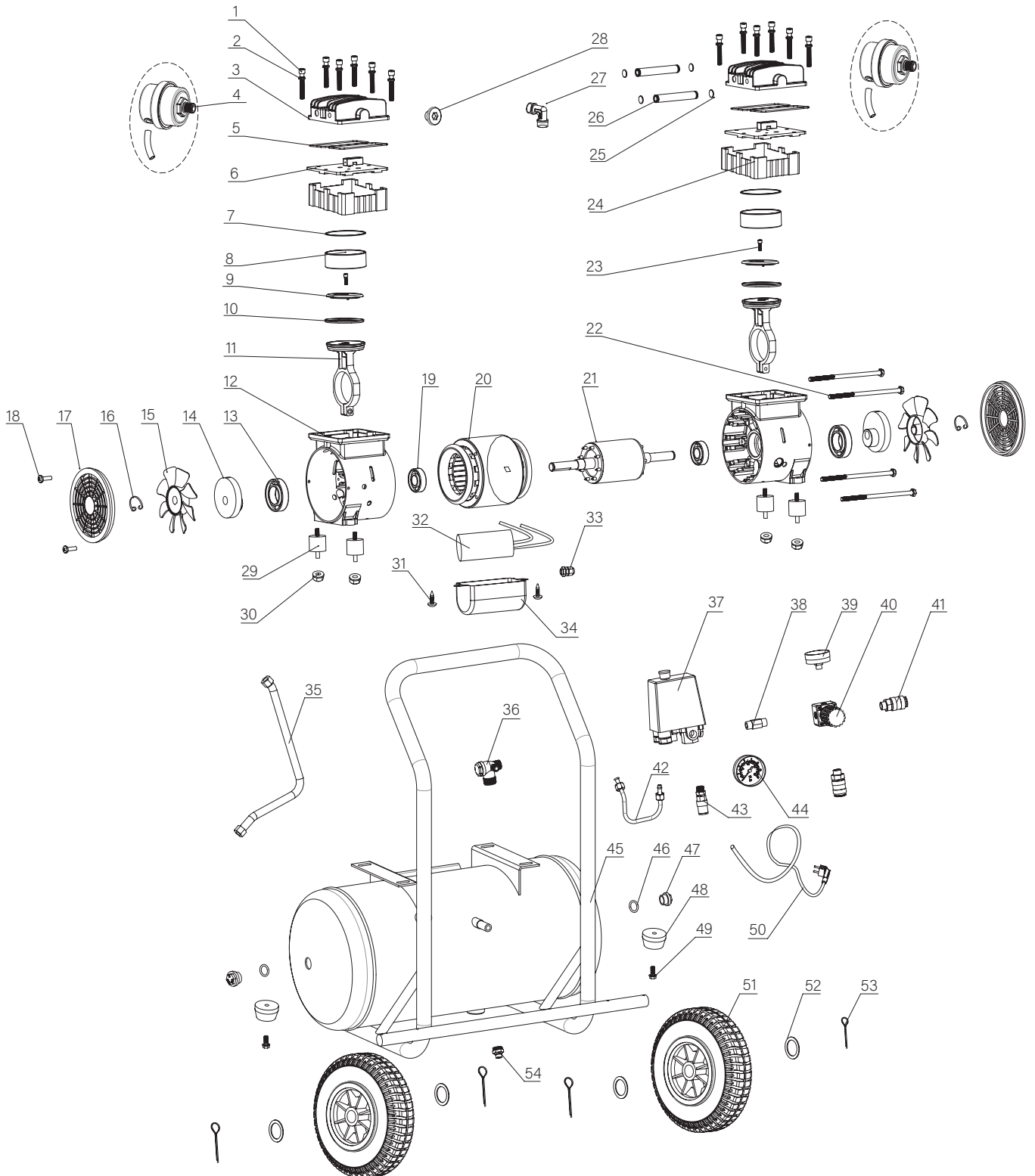




TECHNICAL DRAWING
LMO 25-250

REF. NO.: 36862



**36862 PART LIST**

REF. NO.: 36862

NO.	Designation	Code SKU	Qty
1	Bolt M6×55		12
2	Plain cushion φ6		12
3	Cylinder head	36862003	2
4	Air filter	36862004	2
5	Seal packing collar	36862005	2
6	Valve plate	36862006	2
7	O-ring	36862007	2
8	Cylinder	36862008	2
9	The top of the piston	36862009	2
10	Piston ring	36862010	2
11	Connecting rod	36862011	2
12	Crankcase		2
13	Crank bearing		2
14	Crank		2
15	Fan	36862015	2
16	Elastic ring φ 14		2
17	Fan cover	36862017	2
18	Bolt ST3.3×8		4
19	Rotor bearing		2
20	Stator subassembly		1
21	Rotor		1
22	Bolt M5×155		4
23	Bolt M6×16		2
24	Support block		2
25	O circle mini type		4
26	Connecting pipe		2
27	Connects the bend		1
28	Cylinder head plug		1

**36862 PART LIST**

REF. NO.: 36862

NO.	Designation	Code SKU	Qty
29	Crash pad	36862029	4
30	Nut M8		4
31	Bolt M5×15		2
32	Capacitor	36862032	1
33	It won't come off		1
34	Capacitor housing		1
35	Delivery pipe	36862035	1
36	Non return valve	36843063	1
37	Pressure switch	4304011	1
38	Straight through		1
39	Pressure gauge φ 40	4345217	1
40	Regulate valve	4300201	1
41	Coupler	36843079	2
42	Discharge pipe	36862042	1
43	Safety valve	363814	
44	Pressure gauge φ 50	4345217	1
45	Tank	36862045	1
46	O circle φ 24		2
47	Plug Up		2
48	Footpads	36843072	2
49	Bolt M5x25		2
50	Power cord		1
51	Foaming wheel φ 200	36862051	2
52	Flat Pad φ 20		4
53	Split pin		4
54	Drain Plug	4336303	1
	Complete pump unit	368620U	1
	Repair kit	368620RK	1
	Complete set of wheels with feet and screws - 24 liter tank	368620WS	1